



LEIZHAN

Yankee Dryer Introduce

www.dryercylinder.com

LEIZHAN

Production Line



Pouring cylinder body



Pouring cylinder head



Processing cylinder body



Processing cylinder head



Drying cylinder surface coating



Fine turning dryer cylinder



Water pressure test



Assembling the cylinder and cylinder head



Fine grinding cylinder surface



School balance



Surface hardness test



Packaging awaiting shipment



Four "Hearts"

Head cover

The cylinder head is an inner sphere or other curved shape structure with a large flange and shaft neck, its thickness gradually increases from the outer ring to the inner ring. It is connected with a dryer cylinder shell by cap-screws or welded. The material is the same as the dryer cylinder shell.

Shell

Dryer cylinder shell manufactured with cast iron and carbon steel plates with high mechanical resistance. Make it very small deformation, and good performance. Achieve high thermal conductivity, corrosion resistance and wear resistance.

Turbulator & Siphon System

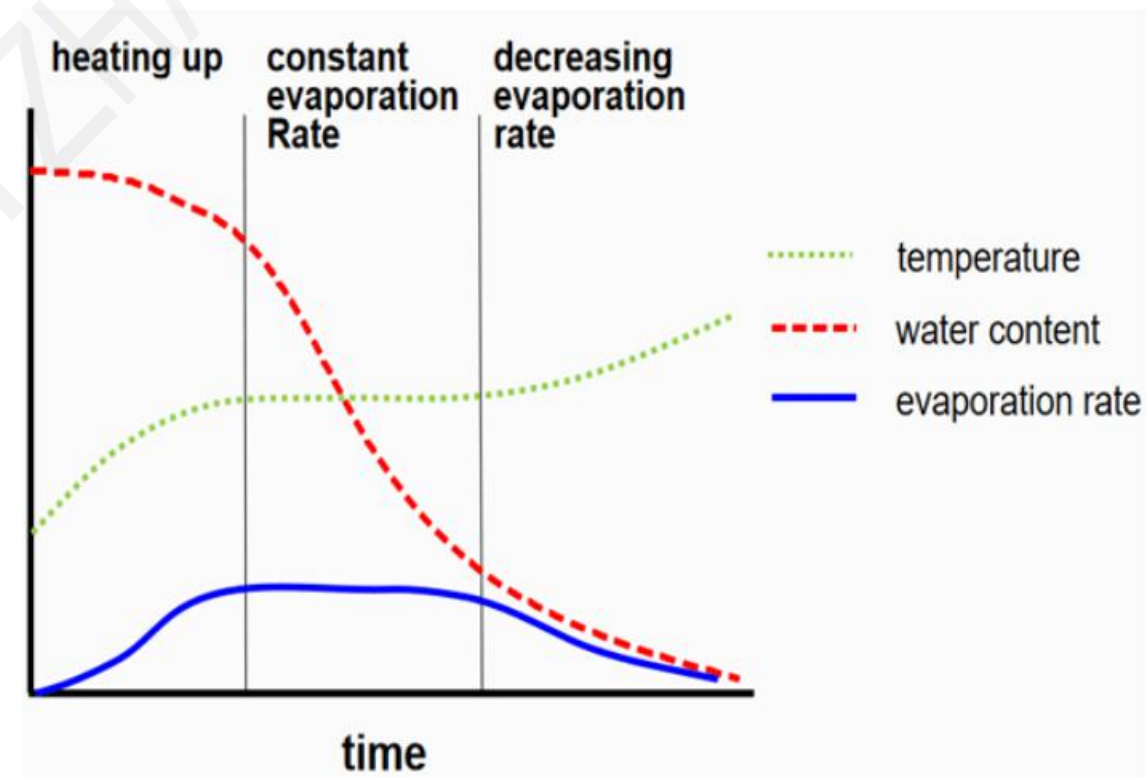
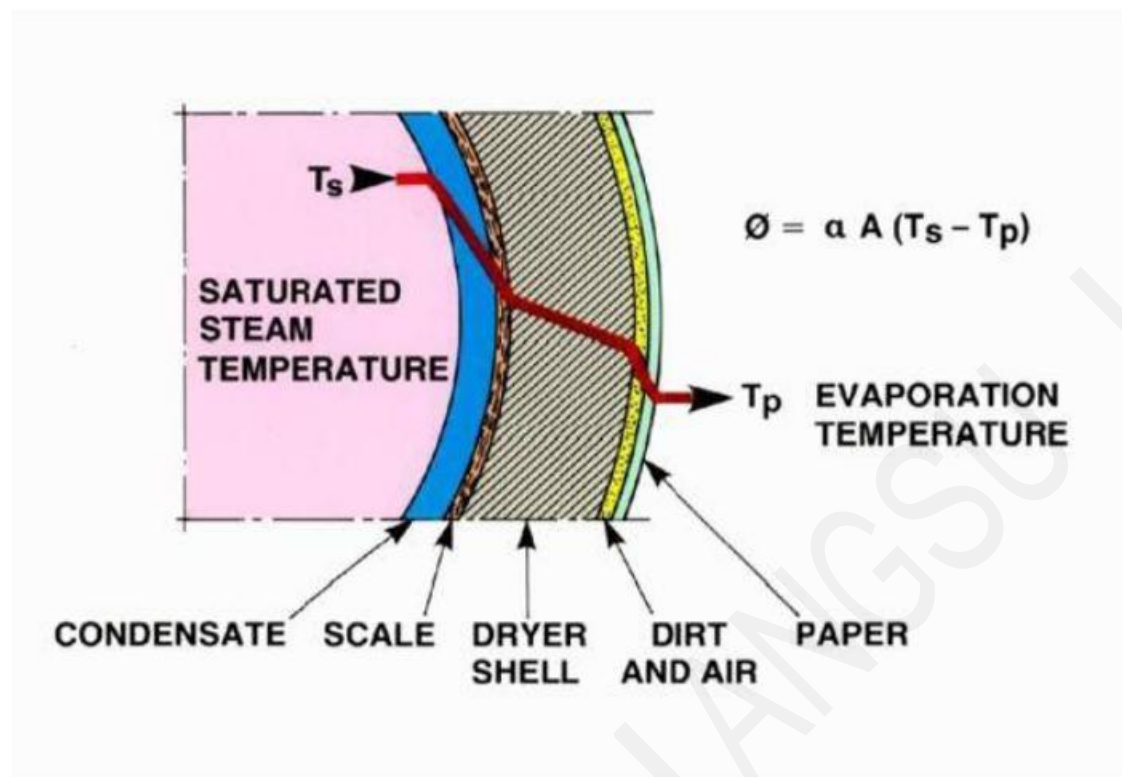
The Yankee dryer's turbulence and siphon system are designed for different working conditions. Stationary siphon, rotary siphon, condensate extractors can ensure the continuous and uniform discharge of condensed water different working conditions. The turbo bars help to increase the heat transfer rate by generating resonance waves in the condensate film.

Metal coating

Yankee dryer cylinders adopt metal thermal spray coating and metal coating can effectively improve the smoothness, corrosion resistance, wear resistance, high-temperature performance of the cylinder surface. In the meantime increased the dryer cylinder service life. Adapt to the production of different kinds of paper.

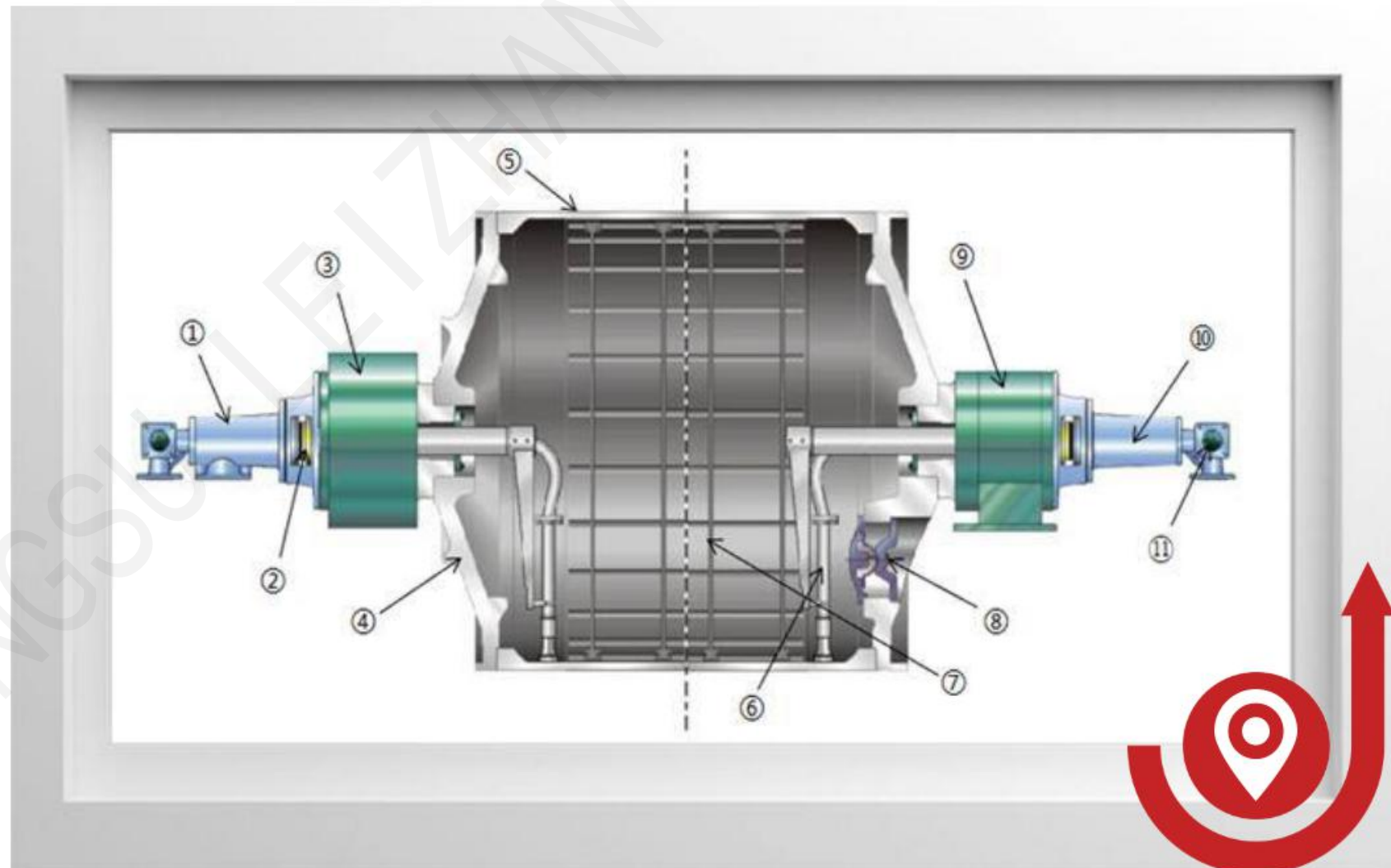
Heat transfer from steam to paper

At present, most paper machines use steam heating dryer cylinder to provide heat energy, in the way of heat conduction, heat energy is transferred to the paper through the dryer. The humidity is generally from 60% reduced to 5% when the paper coming out from the dryer section, and then into the glazing machine..



Components of a Yankee Dryer

- ① Steam joint
- ② Carbon ring and counter flange
- ③ ⑨ Bearing
- ④ Head cover
- ⑤ Shell
- ⑥ Syphon
- ⑦ Turbulator bars
- ⑧ Manhole cover
- ⑩ Condensate joint
- ⑪ Flow indicator



Grooved internal surface

We provided grooved internal surfaces Yankee dryer for customer choice. The Grooved Yankee dryer internal face is machined with radial grooves, condensed water accumulates in the grooves during running. It is used with a condensate extractor, each siphon on the extractor is located in the groove so that the condensed water can be effectively discharged. Under the same working condition, the grooved internal surface has good heat transfer efficiency and less steam loss than the smooth internal surface because of the reduced thickness at the root of the shell. This design can be applied to the paper machine's speed within 2200m/min.



Grooved cast iron dryer shell



Smooth internal surface



Grooved steel dryer shell



Mainly Spare parts



Siphon

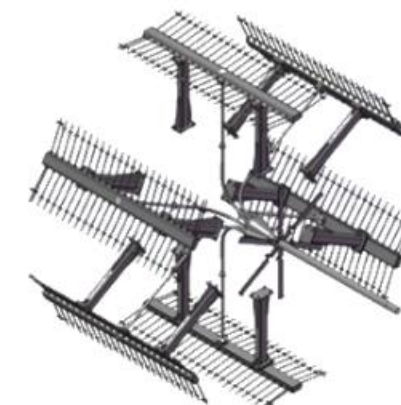
Turbulator bars



Rotary joint



Condensate extractors





LEIZHAN

Thank you for browsing

Sincere, effective, reasonable and professional is our purpose. Welcome your inquiries, we will provide quality services.

www.dryercylinder.com